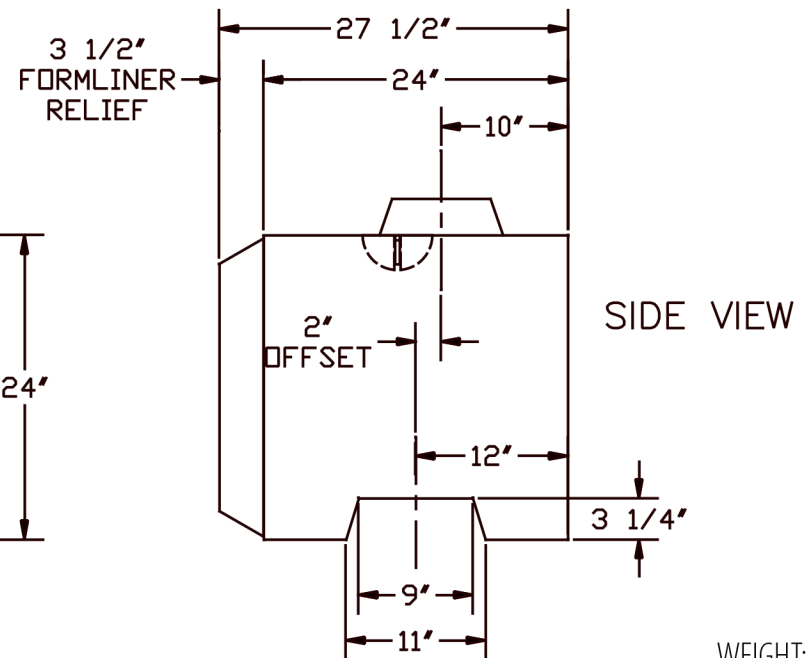
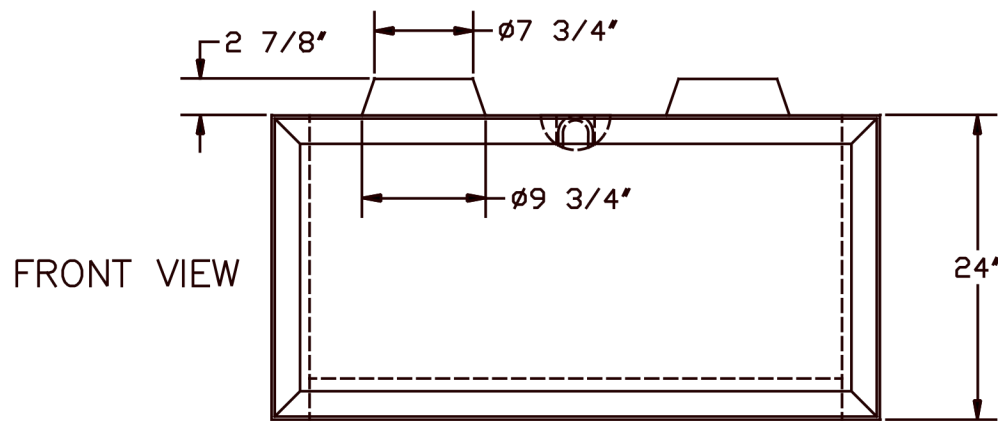
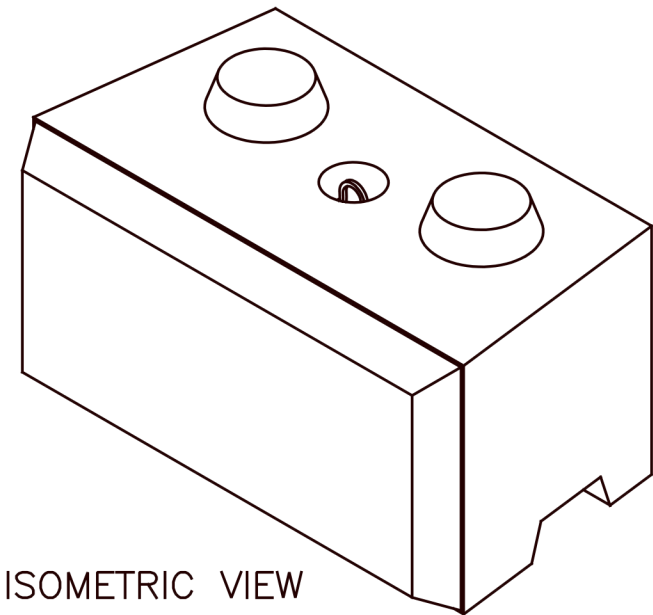
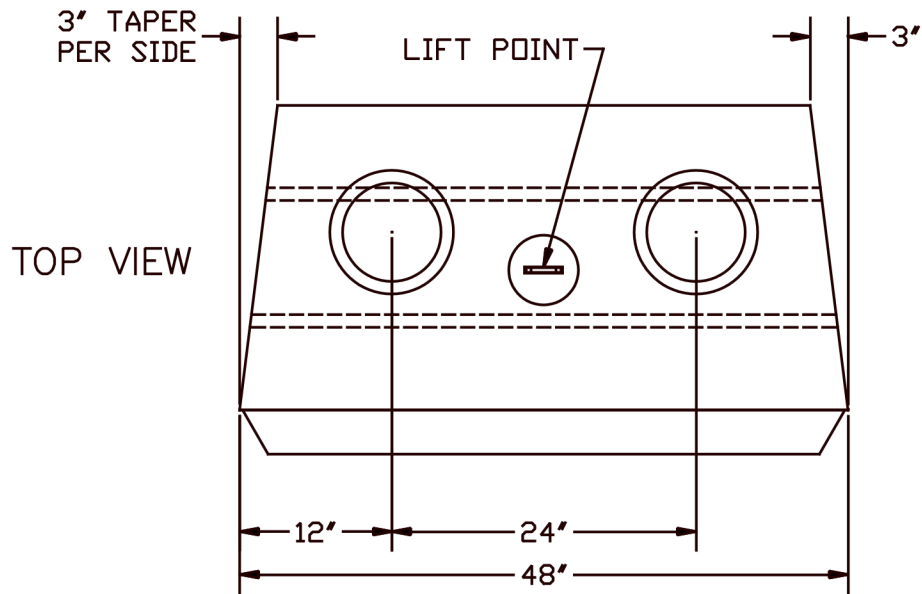


# LANDSCAPE FULL BLOCK - TAPERED ENDS



WEIGHT: 2,450 Lbs.  
VOLUME: 16.34 Cft