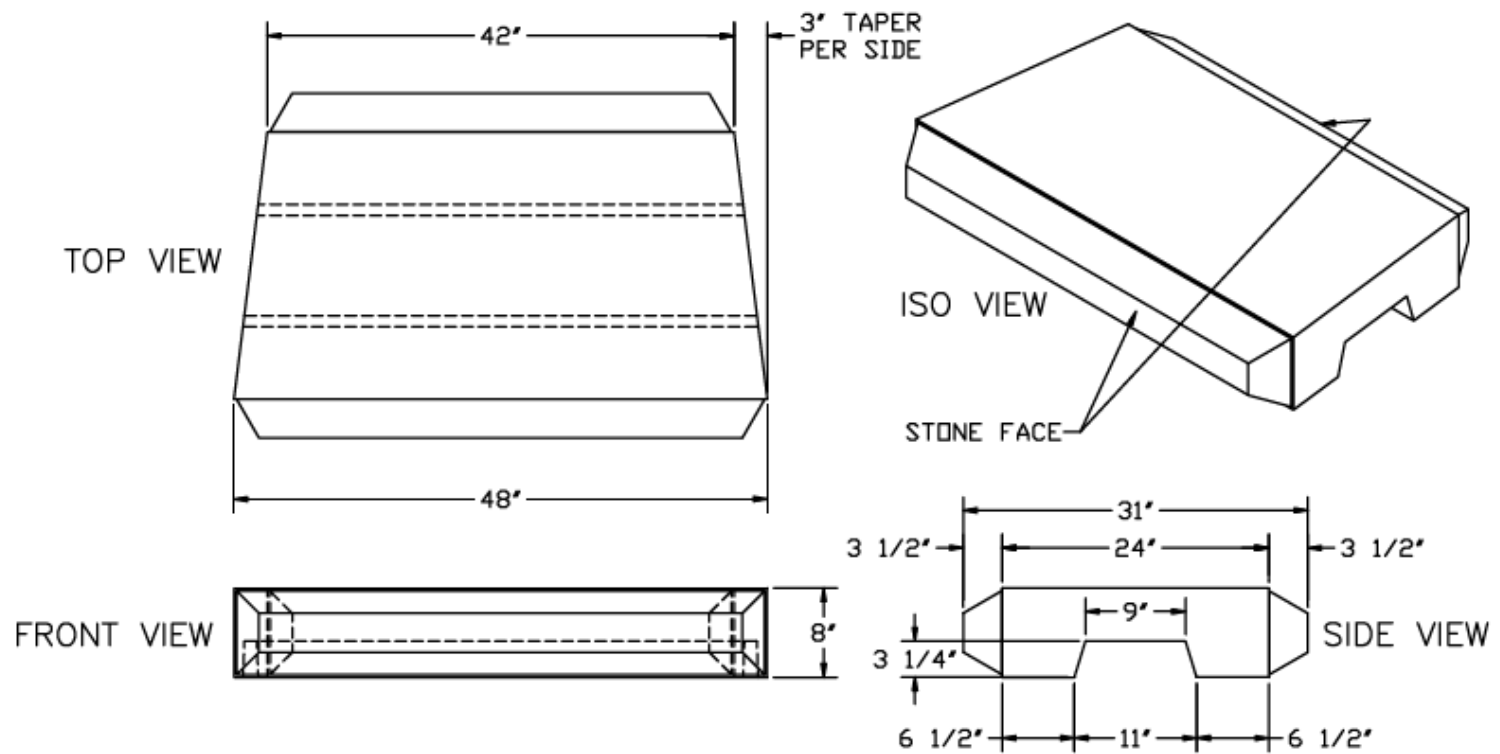


# LANDSCAPE TOP CAP



WEIGHT: 765 Lbs.  
VOLUME: 5.1 Cft